



SABİT KANAT / FIXED WING



DÖNER KANAT / ROTARY WING



SOLUNUM / RESPIRATORY

PERSONAL PROTECTION SYSTEMS

GENTEX | NORBO

FIXED WING HELMET SYSTEMS



HGU-55/P
Fixed Wing

For high-performance maneuvers up to +9 Gs. Customizable visors (clear, neutral gray, gradient, high-contrast, and laser protective) available in a high-speed versions. Clear, concise, and comfortable communications.



HGU-55/GTX
Fixed Wing

The helmet system is the only dual-visor aircrew helmet system with a Night Vision Goggle (NVG) quick-disconnect mount qualified for safe ejection at speeds up to 600 KEAS.



PARAMASTER
Parachutist

High Altitude Low Opening/High Altitude High Opening (HALO/HAHO) Helmet was specially designed for military parachutists performing HALO and HAHO jumps.



ALPHA 900
Fixed Wing

Certified for up to 625 knot ejection. Minimized weight and bulk to support high-G maneuvers, it has a locking dual-visor system that includes a soft velveteen cover to protect visors from scratching when not in use.

ROTARY WING HELMET SYSTEMS



HGU-56/P
Improved

An advanced lightweight retention and suspension system increases comfort and stability. A new design to the Gentex EAL increases the field of view by 3 degrees by shifting the head forward inside the helmet.



HGU-56/P ABH
Ballistic

ABH System provides 110% more ballistic protection than the standard HGU-56/P. ABH System also includes a new ballistically enhanced Maxillo-facial Shield (MFS), which provides complete head protection.



SPH-5
Multi Function

SPH-5 is used by emergency medical personnel, firefighters, government agencies, and commercial pilots. SPH-5 accommodates a wide range of eye/face protection, communications, and hearing protection to meet specific flight needs.



ALPHA 900
Rescue

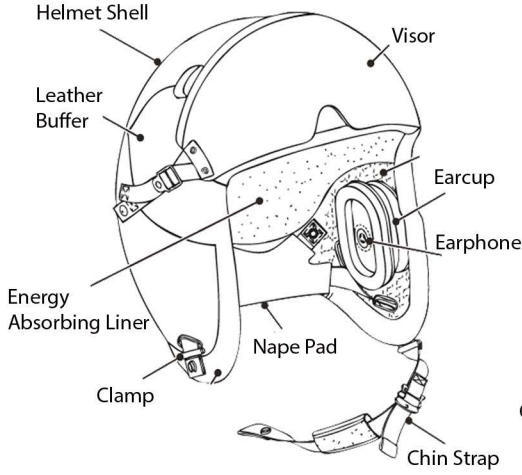
Alpha 900 is the world's first waterproof rotary wing helmet system optimized for any search and rescue aircrew personnel conducting air-to-sea operations.

Best Helmets for the Best...

COMPONENTS

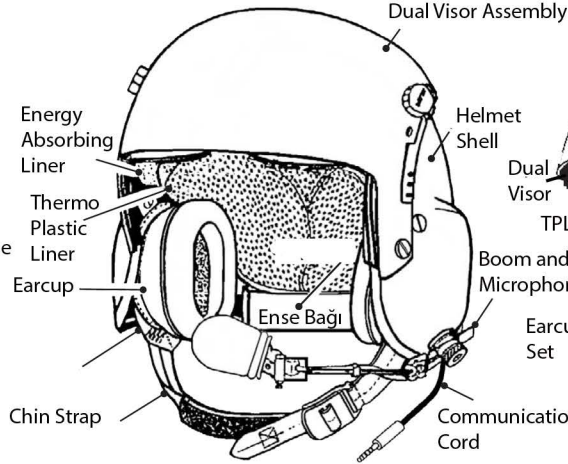
HGU-55/P

Fixed Wing



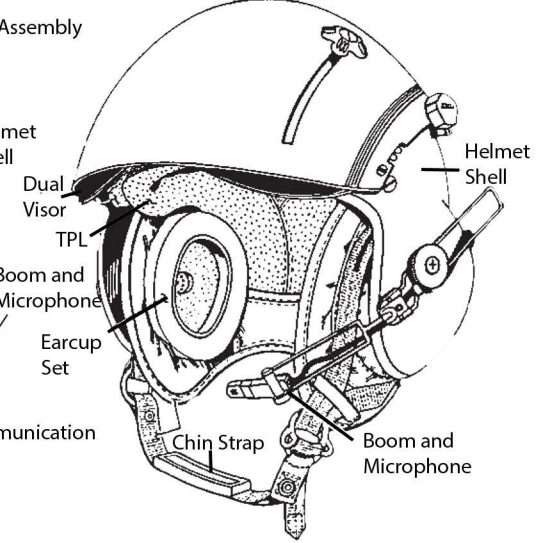
HGU-56/P

Rotary Wing



SPH-5

Rotary Wing



ACCESSORY

OXYGEN Mask



MBU-20/P
PBG - HGU-55/P



HA/LP
PBG - HGU-55/P



MBU-23/P
PBG-Non PBG Navy



MBU-12/P
Low Profile High G



TACAIR
Advanced CBRN

VISOR AND GOGGLES



Clear



Amber



Neutral Gray



High Contrast



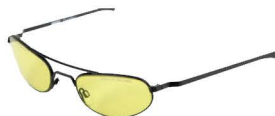
Gradient



Dazzle Night Laser



Dazzle Day Laser



EDU-7/P Laser



Dazzle Day Laser



Dazzle Night Laser

COMMUNICATION and PROTECTION

COMMUNICATION and EAR Protection



DANR
Ground Headset



AHNR
Headset (HGU-55P)



WCEP
Earplug



LPCCE
Earplug



CTE30X
Earplug

FACE Protection



HGU-56/P
Maxillofacial Shield



ALPHA 900
Maxillofacial Shield



SPH-5
Maxillofacial Shield

HELMET Liner



X LINER



TP LINER
Thermo Plastic



SC LINER
Super Comfort

VISOR Mount



SPH-5
Dual Visor Housing



HGU-55/GTX
Dual Visor Housing



HGU-56/P
Dual Visor Housing



HGU-56/P
Std ANVIS Mount



HGU-56/P
ANVIS Quick Disconnect

NVG Mount

F-35 JSF and GENTEX

Designed to deliver affordable next generation strike-aircraft weapon systems for the Navy, Air Force, Marines, and U.S. allies, Gentex is developing the helmet system platform, along with the respiratory protection system, hearing protection and communications products, eye protection, and an array of technical services and sustainment support for the F-35 Program.

- Helmet System Platform (Shell) with Aircrew Noise Reduction (ANR) Technology
- Digital Active Noise Reduction (ANR), Double Hearing Protection Communications Headset
- Oxygen Mask and Light
- Oxygen Mask Tester
- Photochromic visor capabilities
- Laser Eye Protection Spectacles
- Technical Service and Support
- Custom Fitting Services

